

## **STANDARD® LED Light Channel**

Economical LED light channel which is suitable for your existing interior. White colored “daylight” and blue colored “nightlight” in the same serial configuration. Aluminum construction may also be used to fix your trim panels to the vehicle’s ceiling.

### Features;

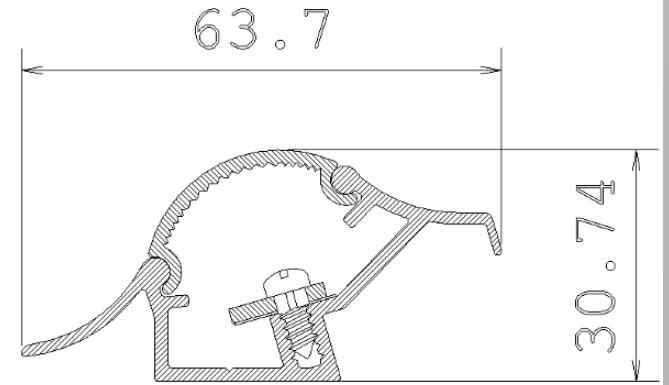
- Aluminum body and polycarbonate diffuser.
- Plastic injected closure caps & Surface assembly.
- Standard color in grey . (optional in cream)
- Available in 12V or 24V.
- Available in requested length.





### Technical specification

Outer dimensions (width x height)	: 63.70 x 30.70mm
Ceiling assembly	: Surface
Weight	: 770 g/meter
Daylight (direct) illumination	: 0.85W per meter (12V) 1.00W per meter (24V)
Nightlight (indirect) illumination	: 0.25W per meter (12V) 0.60W per meter (24V)
Body	: Painted Aluminum
Closure caps	: Plastic injected
Light diffusor	: Polycarbonate
Color options	: Grey (standard) Cream



**IDEA Otomotiv Ltd. Sti.**  
**Beşevler Küçük Sanayi Sitesi Yanı, Üçevler Mahallesi,**  
**51.Sokak No:3 Nilüfer – Bursa / TURKEY**  
**Tel: +90 224 443 46 71/72 Fax: +90 224 443 46 73**  
**E-mail: [sales@ideaotomotiv.com](mailto:sales@ideaotomotiv.com)**  
**Web : [www.ideaotomotiv.com](http://www.ideaotomotiv.com)**